

Swing-Up Grab Rail - Fitting and User Instructions

(Models: AB0017 & AB0018)

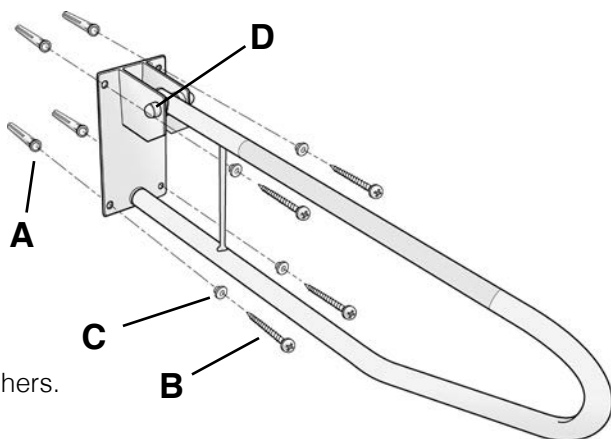
MI0244 issue 1

Intended Use

The Swing-Up Grab Rail by Mangar International is a wall mounted steel rail, which when mounted next to a toilet, provides support and balance when sitting, standing or transferring from a wheelchair or walker. The rail can be raised back to the wall when not in use or when transferring from the side.

Safety Precautions

- The rail should be installed by a suitably qualified person.
- Check that the rail can be safely located in the required position on the wall (avoiding hidden electrical cables and water pipes) and that the wall is of sufficient strength.
- The fixings supplied are ONLY suitable for use with solid walls, If fitting to other wall types, ensure suitable fixings are used. If in doubt consult a qualified tradesman.



Contents:

- 1 x Swing-Up Grab Rail.
- 4 x wall fixing screws.
- 4 x wall plugs; 4 x plastic washers.

Fitting

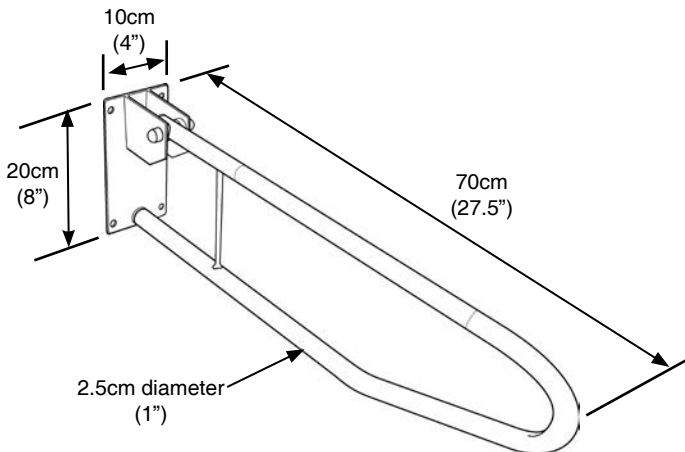
1. Ensure that when positioned correctly, the rail can be raised and lowered without interfering with other fixtures and furniture and that transfer can be carried out safely.
2. Drill the four holes to a depth approximately 5 mm greater than the length of the wall plugs provided and insert the plugs (A).
3. Fit the screws (B) through the plastic washers (C) and the holes of the base plate before fully tightening.
4. When fitted, check that the rail is securely fixed to the wall and that the friction lock (D) is effective in holding the rail at any angle without allowing it to drop under its own weight.

Using the Grab Rail

- Before first use, check that the Grab Rail is securely fitted to the wall.
- Use the Grab Rail to ASSIST when lowering or raising yourself. NEVER apply your full weight to the Grab Rail.
- Regularly clean the Grab Rail with a mild detergent/disinfectant solution.

Specifications:

Max. user weight:
100Kg (15.75st)



Warranty

Mangar International guarantees this product for a period of one year.

The guarantee is given against defects in the product. The guarantee is not valid in the case of fair wear and tear, wilful damage, common neglect, misuse or unauthorised alteration or repair by unqualified persons.

The following statements do not affect the consumer's statutory rights. This product is sold on the understanding that in the event of any defect of manufacture or material appearing within one year of the date of receipt of this product, the product will be repaired or replaced free of charge providing that:

- Reasonable evidence is provided (e.g. purchase invoice, delivery note) that the product was not purchased more than one year prior to the date of the claim.
- The defect is not attributable to accidental damage (either in transit or otherwise), misuse or unauthorised repair.

Mangar International reserves the right to alter product specifications and/or any of the information contained within this document without notice.



Mangar International

Presteigne, Powys, Wales, UK, LD8 2UF

Tel: +44 (0)1544 267674

Fax: +44 (0)1544 260287

customercare@mangar.co.uk

www.mangarinternational.co.uk

