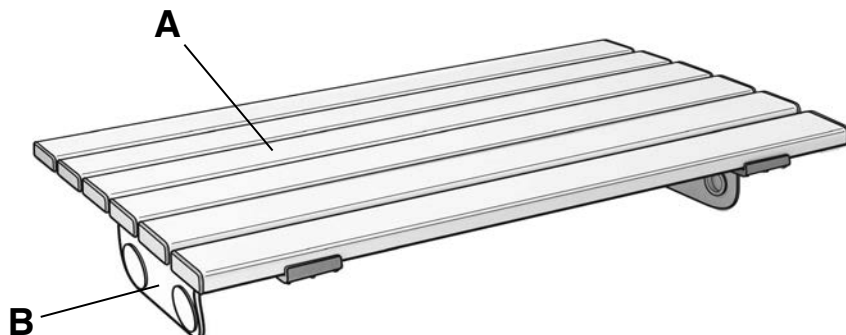


(Model: AB0006)

The Bath Board by Mangar International provides a safe and stable seat or transfer platform for use when bathing or showering.

## Contents

- 1 x Bath Board platform (**A**).
- 2 x Clamping brackets (**B**).
- 2 x Wing nuts (**C**).
- 1 x User instructions.

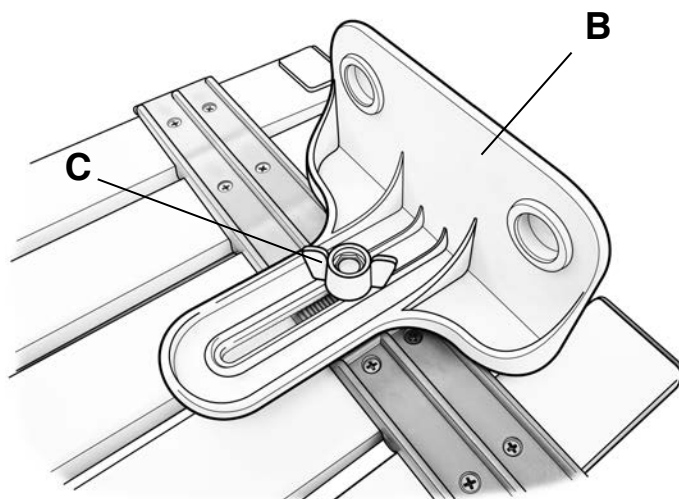


## WARNINGS

- Ensure that the Bath Board does not overhang the outer edges of the bath.
- The bath rim must be wide enough to support at least 4cm (1½”) of each end of the Bath Board.
- The user must not exceed 200kg (31st).

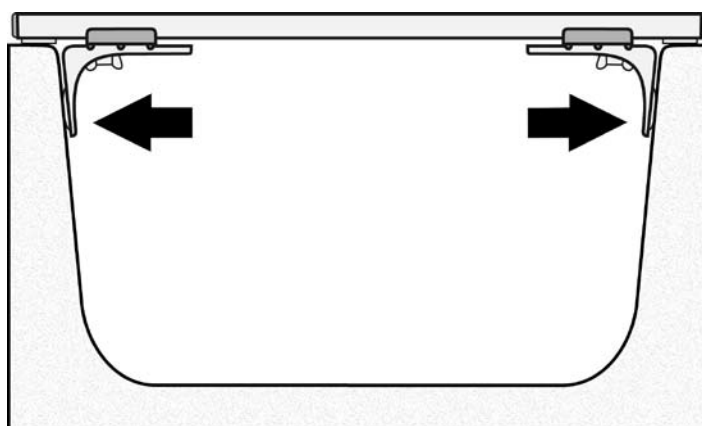
## Assembly

- Position the two clamping brackets on the underside of the Bath Board platform as illustrated (**B**) and loosely fasten the two wing nuts (**C**).



## Fitting the Bath Board to the Bath

1. Position the Bath Board across the bath so that it sits equally on the rim of the bath on each side.
2. Slide the clamping brackets so that they make contact with the sides of the bath (as illustrated by arrows) and tighten the wing nuts.
3. Check that the Bath Board feels secure and cannot be easily moved when pulled forwards, backwards or sideways.



## Using the Bath Board

1. Check that the Bath Board is secure.
2. Stand at the side of the bath with your back towards the Bath Board and lower yourself onto the end of the board.
3. Move back towards the centre of the board and lift your legs one at a time over the bath side and into the bath.
4. Finally position yourself so that you are sitting centrally on the Bath Board.

PLEASE NOTE: If you experience difficulty positioning yourself on the Bath Board, Mangar International can supply a grab rail which can be fitted to the wall above the bath.

## Safety Precautions

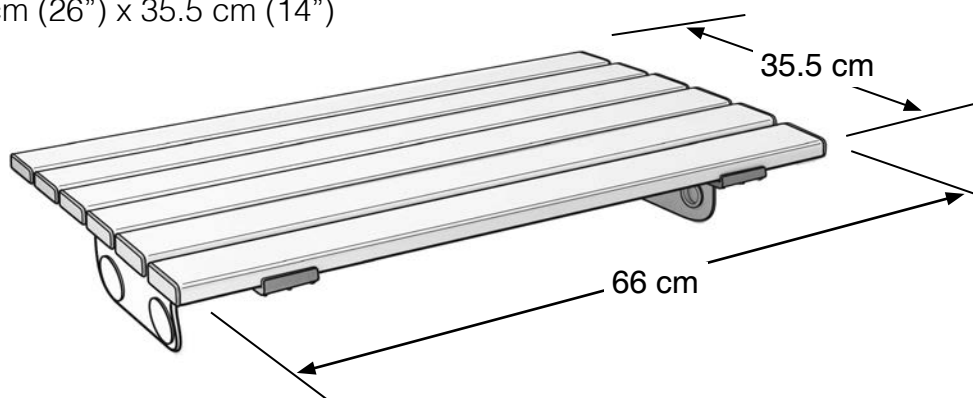
- DO NOT exceed the maximum user weight limit.
- DO NOT stand on the Bath Board.
- Inspect at regular intervals for wear or damage.

## Cleaning

- All components can be cleaned with proprietary non-abrasive liquid cleaners and disinfectants.

## Specifications

Maximum User Weight: 200Kg (31st)  
Bath Board Platform: 66 cm (26") x 35.5 cm (14")



## Warranty

Mangar International guarantees this product for a period of one year.

The guarantee is given against defects in the product. The guarantee is not valid in the case of fair wear and tear, wilful damage, common neglect, misuse or unauthorised alteration or repair by unqualified persons.

The following statements do not affect the consumer's statutory rights. This product is sold on the understanding that in the event of any defect of manufacture or material appearing within one year of the date of receipt of this product, the product will be repaired or replaced free of charge providing that:

- (a) Reasonable evidence is provided (e.g. purchase invoice, delivery note) that the product was not purchased more than one year prior to the date of the claim.
- (b) The defect is not attributable to accidental damage (either in transit or otherwise), misuse or unauthorised repair.

Mangar International reserves the right to alter product specifications and/or any of the information contained within this document without notice.

## Mangar International

Presteigne, Powys, Wales, UK. LD8 2UF

tel: +44 (0)1544 267674

fax: +44 (0)1544 260287

customercare@mangar.co.uk

www.mangarinternational.co.uk

