

18" Snowdon Square Support Rail

MI0278 issue 3

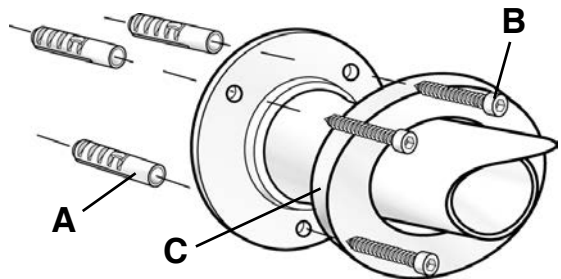
Fitting and User Instructions (Model: AB0509)

Congratulations on purchasing your 18" Snowdon Square Support Rail by Mangar International. The Support Rail offers a safe hand hold providing:

- a support to push or pull against when standing up or sitting down.
- a steadying support while sitting down.
- a firm grip whilst transferring from one position to another.
- balance when standing or dressing.

Contents:

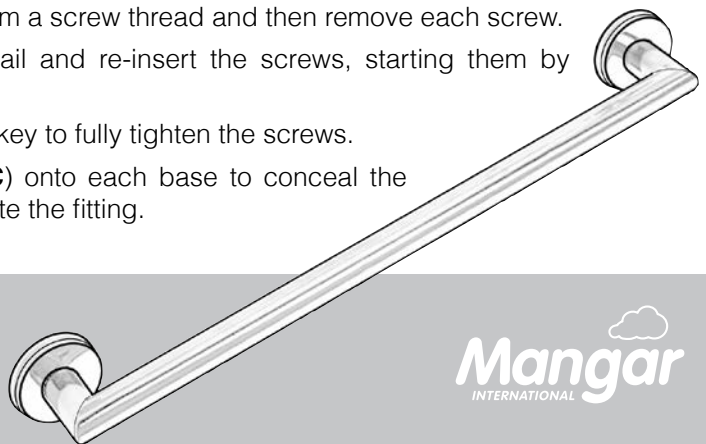
- 1 x 18" Support Rail.
- 6 x wall fixing screws.
- 6 x wall plugs.
- 1 x Hexagonal key.



Fitting

WARNING: Before fitting, ensure that there are no concealed electrical cables or pipes where the fixing holes are to be drilled.

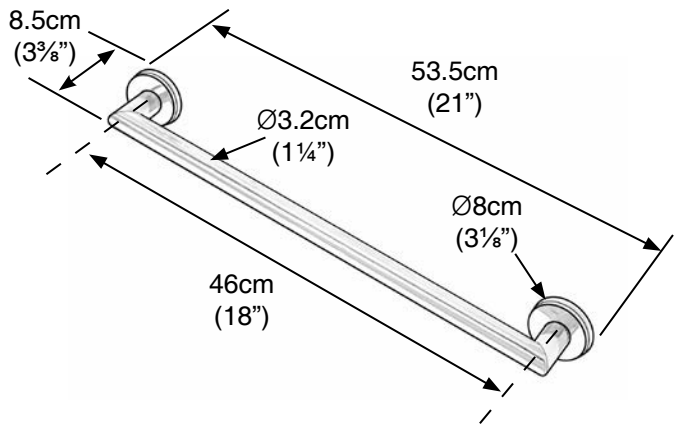
1. The fixings supplied are **ONLY** suitable for use in solid walls. If fitting to plasterboard walls ensure suitable fixings are used. If in doubt consult a qualified tradesman.
2. Position the Grab Rail on the wall either horizontally or at an angle to suit and mark the six hole locations.
3. Use an $\text{Ø}8\text{mm}$ drill bit, to drill the six holes to a depth approximately 6 mm greater than the length of the wall plugs provided and insert the plugs (**A**).
4. Without the grab rail in place, drive each hexagonal head screw (**B**) into the wall plugs to form a screw thread and then remove each screw.
5. Position the grab rail and re-insert the screws, starting them by hand.
6. Use the hexagonal key to fully tighten the screws.
7. Push the covers (**C**) onto each base to conceal the screws and complete the fitting.



Using the Support Rail

- Before first use, check that the Support Rail is securely fitted to the wall.
- Use the Support Rail to ASSIST when lowering or raising yourself. NEVER apply your full weight to the Support Rail.
- Regularly clean the Support Rail with a non-abrasive proprietary cleaner.

Specifications:



Warranty

Mangar International guarantees this product for a period of one year.

The guarantee is given against defects in the product. The guarantee is not valid in the case of fair wear and tear, wilful damage, common neglect, misuse or unauthorised alteration or repair by unqualified persons.

The following statements do not affect the consumer's statutory rights. This product is sold on the understanding that in the event of any defect of manufacture or material appearing within one year of the date of receipt of this product, the product will be repaired or replaced free of charge providing that:

- Reasonable evidence is provided (e.g. purchase invoice, delivery note) that the product was not purchased more than one year prior to the date of the claim.
- The defect is not attributable to accidental damage (either in transit or otherwise), misuse or unauthorised repair.

Mangar International reserves the right to alter product specifications and/or any of the information contained within this document without notice.



Mangar International

Presteigne, Powys, Wales, UK, LD8 2UF

Tel: +44 (0)1544 267674

Fax: +44 (0)1544 260287

customercare@mangar.co.uk

www.mangarinternational.co.uk

