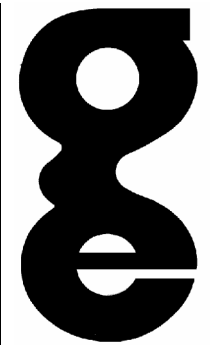
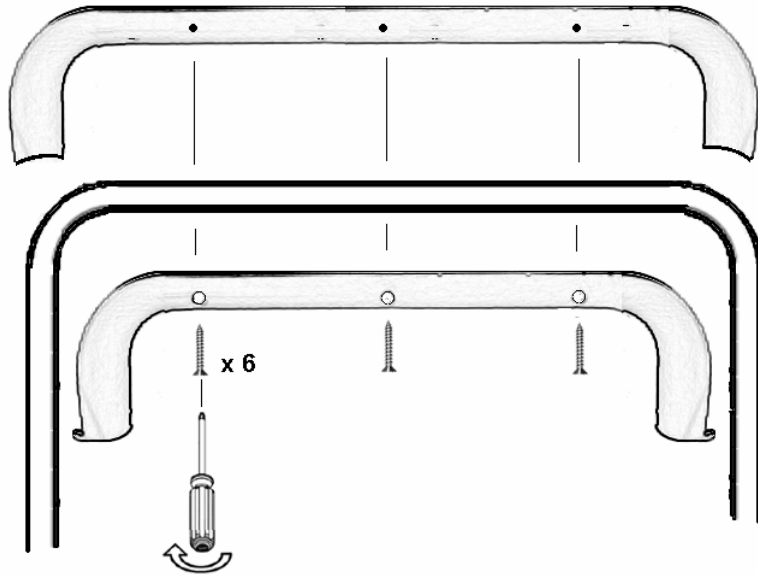


Welcome To  
Gordon Ellis & Co.  
Home Healthcare Products



**GORDON  
ELLIS  
& CO**

MANUFACTURERS IN  
WOOD AND PLASTIC  
ESTABLISHED 1893

**Prima  
Multi- Frame  
Arms**



Part no.	Onderdeelnr.	<b>61530</b>
L'article No.	Styknr.	
Teile-Nr.	Del nr.	
Codice	Delenr.	
N° de pieza:	Osa nro	
Peça n°	Αρ. Ανταλλακτικού	

Made in EU	Vervaardigd in de EU
Fabriqu� dans l'Union Europ�enne	Fremstillet i EU
In der EU hergestellt	Tillverkad i EU
Fabbricato nella UE	Produsert i EU
Fabricado en la UE.	Valmistettu EU:ssa
Fabricado na U.E.	Κατασκευ�στηκε στην ΕΕ

TRENT LANE  
CASTLE DONINGTON  
DERBY DE74 2NP  
ENGLAND  
TEL: (01332) 810504  
INT: + 44 1332 810504  
FAX: (01332) 850830  
INT: + 44 1332 850830  
gordon.ellis@gordonellis.co.uk  
www.gordonellis.com

Company registered in England:  
No. 231734  
VAT No. GB 428 4666 26

*For other details of Gordon Ellis products for elderly and disabled people,  
please contact your supplier, or Gordon Ellis direct.*

[www.gordonellis.com](http://www.gordonellis.com)

