



user instructions and warranty

# handy pillow lift

freedom

through lightweight solutions

The Handy Pillow Lift by Mangar International, has been designed to fit on any bed without the need for securing straps. Power is provided by the Mangar International Airflo Compressor. **PLEASE READ** the separate Airflo compressor instructions.



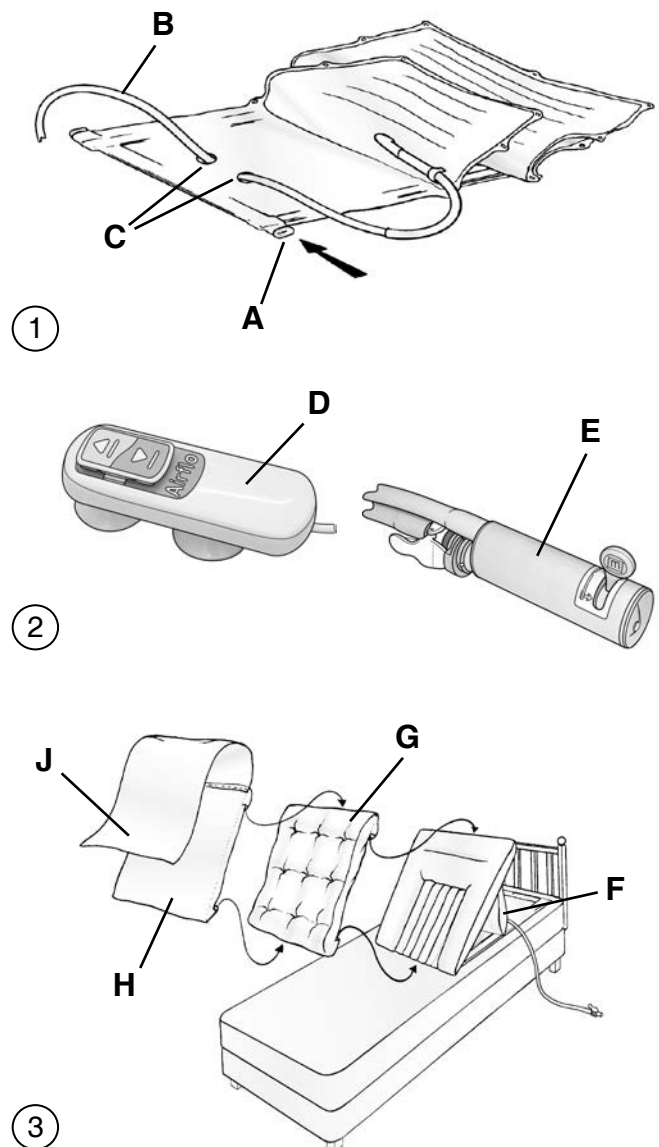
### Standard Contents

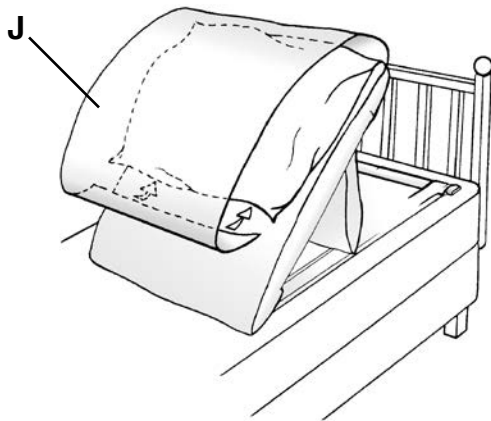
- |                       |                       |
|-----------------------|-----------------------|
| 1 x Handy Pillow Lift | 1 x Spreader Bar      |
| 1 x Pillow Lift Quilt | 1 x User Instructions |
| 1 x Pillow Lift Cover |                       |

- Ensure that you have read and fully understand these and the separate Airflo user instructions before using the equipment.

### Fitting Instructions

- Fit the Spreader Bar (**A** fig. 1) through the pocket on the base of the Handy Pillow Lift.
- The air hose (**B**), can be led to either side of the bed, depending on where the compressor is to be placed. If the hose is to be led to the left hand side of the bed (as you lie on the bed), the hose needs to pass through the two holes as indicated (**C**).
- Remove the pillows from the bed and place the Handy Pillow Lift on the bed with the Spreader Bar positioned up against the headboard. Fold the strut (**F** fig.3) towards the headboard.
- Connect the Handy Pillow Lift air hose and the hand control as indicated in the separate Airflo compressor user instructions. A standard push button hand control (**D** fig.2) is supplied with the Airflo compressor, however, an optional lever hand control (**E**) is also available
- Place the Airflo by the side or under the bed, in an out of the way position.
- Partially inflate the Handy Pillow Lift by pressing 'up' on the hand control (see separate Airflo instructions).
- Fit the Quilt (**G** fig.3) to the Handy Pillow Lift by inserting the top and bottom of the Handy Pillow Lift into the pockets at the top and bottom of the Quilt.
- Fit the Cover (**H**) over the Quilt in the same way as fitting the Quilt, ensuring that the Flap (**J**), is positioned at the top.







4

- Position your pillow on the Handy Pillow Lift as indicated (fig. 4) and wrap the flap (J) completely around the pillow to hold it in place.

**Operating Instructions**

- To raise the Handy Pillow Lift, press ‘Up’  on the hand control.
- To stop at any point, release the ‘Up’ button.
- To lower the Handy Pillow Lift, press “Down”  on the hand control.

**FOR YOUR SAFETY:** Keep the compressor, the air hose and the hand control tidy and easy to reach.

**Routine Cleaning**

Remove the cover and quilt and inflate the Handy Pillow Lift. Sponge clean with a detergent solution and dry thoroughly. **Do not dry using hot air.** The cover can be machine washed up to 74°C, tumble dried and hot ironed. Restrict the quilt washing temperature to 40°C for maximum product life.

**Disinfecting**

The quilt and cover should be removed and the Handy Pillow Lift be fully inflated. The Handy Pillow Lift should be pre-cleaned by washing with detergent and water and then disinfected using either buffered hypochlorite (such as ‘Milton’ solution) or a hard surface, alcohol impregnated wipe. **Do not dry using hot air.**

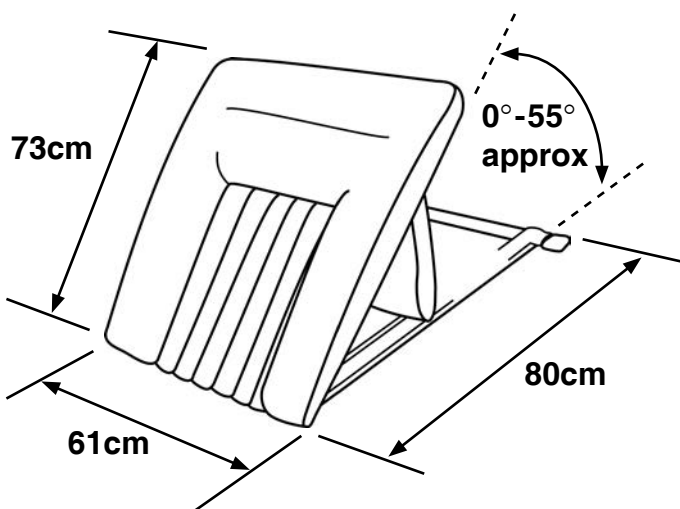
**Storage**

Ensure that the Handy Pillow Lift is thoroughly dry before storing. Store deflated in a dry place. Keep these instructions in a safe place for future reference.

**Maintenance**

Other than routine cleaning and disinfecting, the Handy Pillow Lift is maintenance free.

We recommend that a thorough examination of the Handy Pillow Lift is carried out regularly (not to exceed 12 months). For details of Mangar International’s full range of Customer Services please contact: customerservice@mangar.co.uk or contact your local supplier (**See rear cover of instructions for further information**).



**Specifications:**

- Max. User weight: 135kg. (Use with heavier persons will not damage the product, but full lift may not be achieved).
- Weight of HPL: 2kg
- Inflated Width: 61cm
- Deflated width: 71cm
- Length: 80cm
- Backrest Length: 73cm
- Backrest Angle: 0° to 55° approx.
- Max. Pressure: 0.35 bar (5 psi)
- Air Hose Length: 1.8m
- Fabric: PU Coated Nylon

# freedom through lightweight solutions

## Warranty

Mangar International guarantees this product for a period of two years.

The guarantee is given against defects in material and workmanship and comprises piece, parts and labour. The guarantee is not valid in the case of fair wear and tear, wilful damage, common neglect, misuse or unauthorised alteration or repair by unqualified persons.



The following statements do not affect the consumer's statutory rights. This product is sold on the understanding that in the event of any defect of manufacture or material appearing within two years of the date of receipt of this product, the defect will be rectified free of charge providing that:

- (a) Reasonable evidence is provided (e.g. purchase invoice, delivery note) that the product was not purchased more than two years prior to the date of the claim.
- (b) The defect is not attributable to accidental damage (either in transit or otherwise), misuse or unauthorised repair.

Handy Pillow Lift serial number:	.....
Date of purchase:	.....
Invoice/Delivery note number:	.....



We strive to provide our customers with reliable and durable products of the highest quality. In addition to a two year guarantee, and for added peace of mind, our servicing division, Primeserve, also offers a variety of service options. Choose from an **Extended Parts Warranty**, **Call-Out Protection** and an **Annual Service and Clean**.

To find out how we can provide complete cover for your Mangar International product call our Customer Service Department on **Freephone 0800 280 0485**.

Mangar International reserves the right to alter product specifications and/or any of the information contained within this document without notice.



## Mangar International

Presteigne  
Powys  
Wales, UK  
LD8 2UF

tel: +44 (0)1544 267674  
fax: +44 (0)1544 260287

customercare@mangar.co.uk  
www.mangarinternational.co.uk

Patents Pending