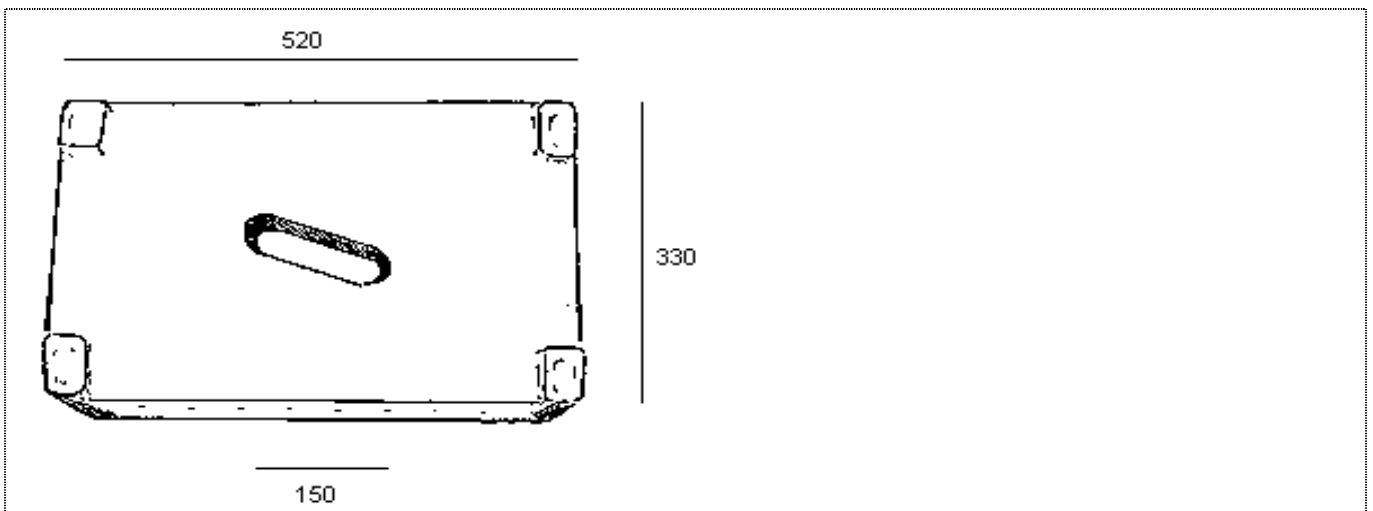
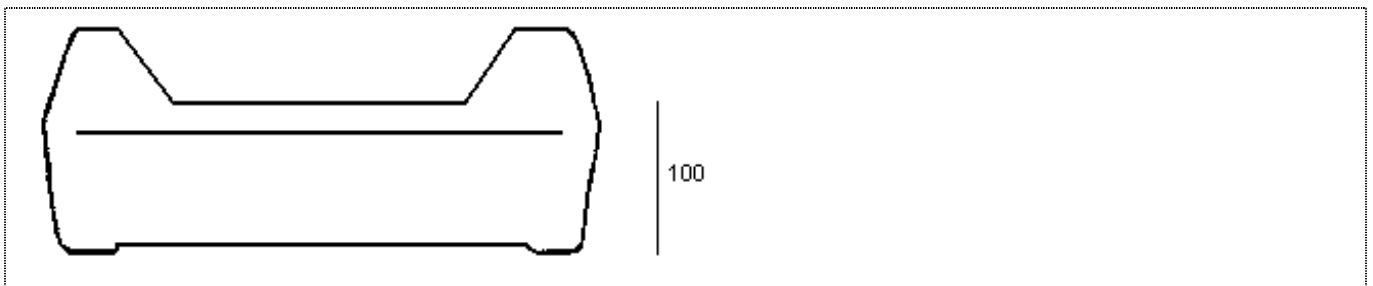
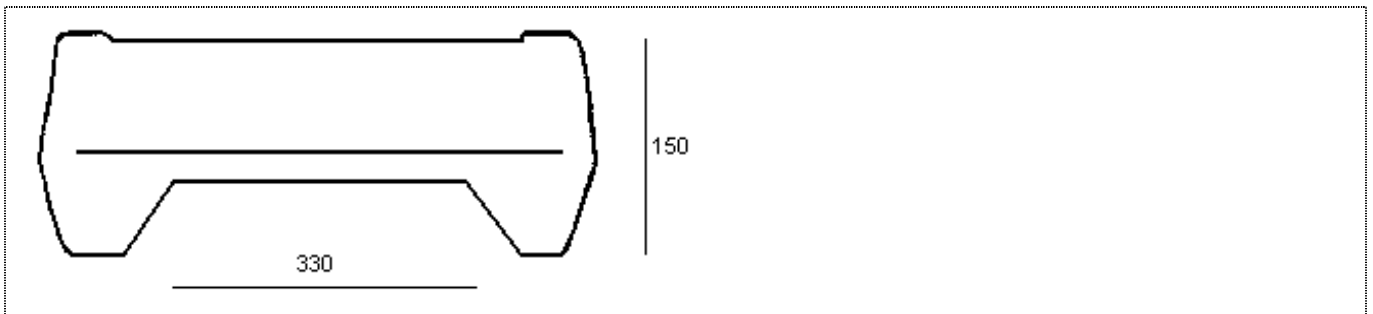
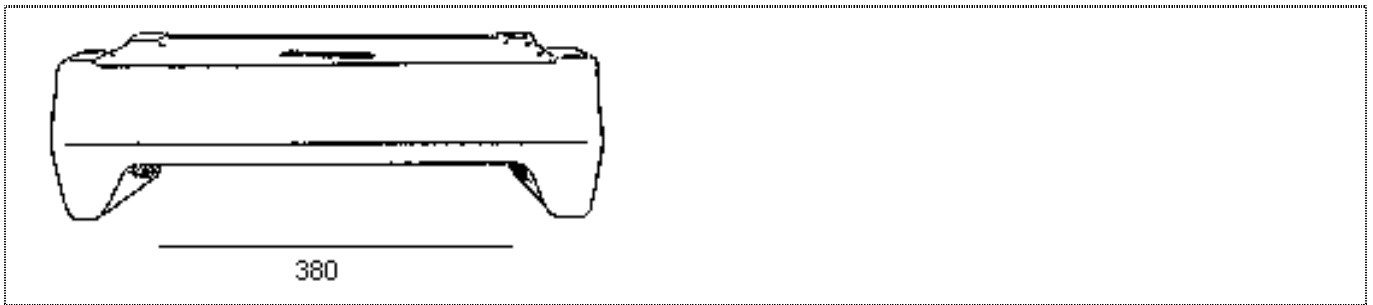


PRODUCT DRAWINGDescription: **Ashby Step-Two**Code: **6291**

Product weight: 3.0 kg. (shipping weight: 3.88 kg.)
Maximum user weight: 190 kg.
Material: Polyethylene.