

Adjustable Bath & Shower Stool - User Instructions

MI0237 issue 2

(Model: AB0004)

The Adjustable Bath & Shower Stool by Mangar International is intended to be used in a bath or shower to provide a stable, seated support, where a user is unable to stand for long periods.

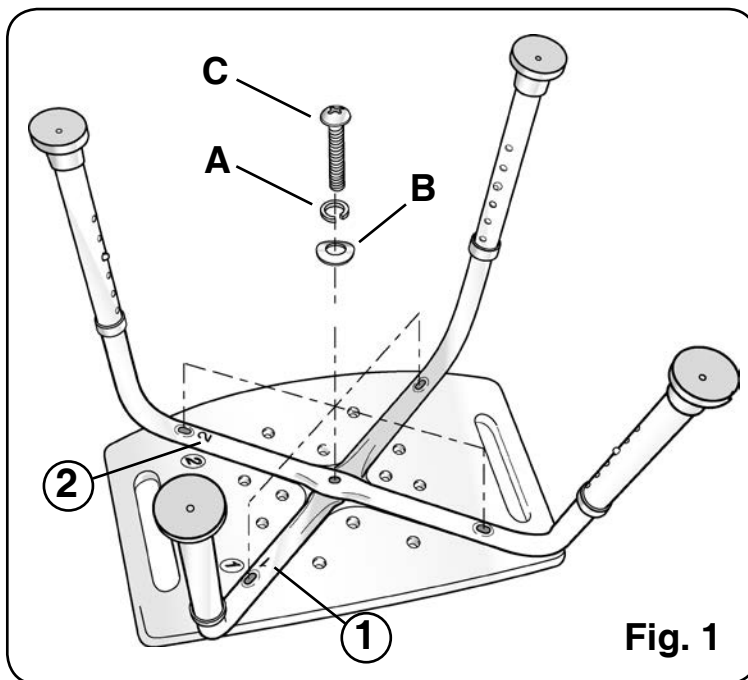
Contents

- 2 x Legs.
- 5 x Round head screws.
- 5 x Spring washers.
- 5 x Saddle washers.
- 1 x Seat.
- 1 x User instructions.

Assembly

Tools required: Philips screwdriver.

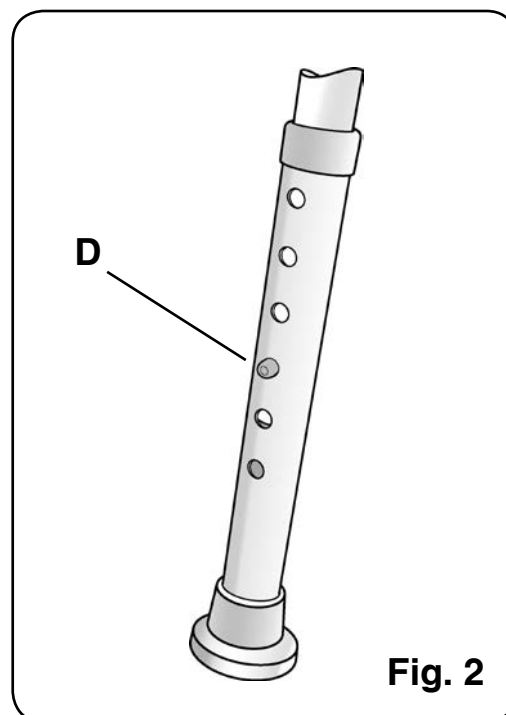
1. Place the seat upside down on a flat surface and align the legs so that the numbers **1** & **2** stamped on the legs correspond to the numbers **1** & **2** moulded into the seat.
2. Fit the spring washer (**A** fig.1) and saddle washer (**B**) to the screws (**C**) before securing the legs to the underside of the seat as indicated. Ensure that the screws are fully tightened.



Height Adjustment

1. Adjust the legs to the desired height by depressing the snap button (**D** fig. 2) and sliding the leg extension up or down the frame tube until the button snaps into the appropriate adjustment hole.
2. Ensure that all four leg extensions are secured to the same adjustment holes to ensure even height.

WARNING: Ensure that all four legs are adjusted to the same height and that each snap button is fully located.



Using the Bath & Shower Stool

- Position the stool in the bath or shower tray ensuring that all four feet are making contact with the bath/shower tray.
- Sit centrally on the seat.

Safety Precautions

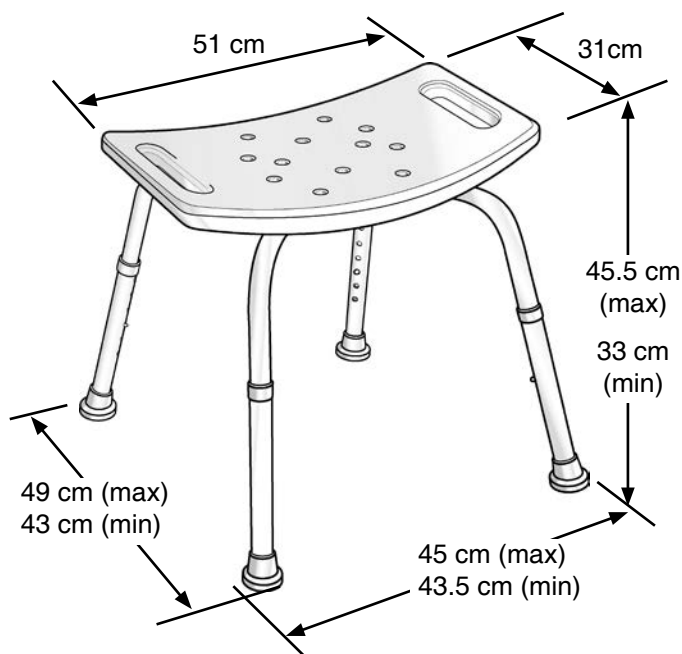
- DO NOT exceed the maximum user weight limit.
- DO NOT stand on the seat.
- DO NOT use if the rubber feet are damaged.
- Inspect at regular intervals for wear and damage.

Cleaning

- All components can be cleaned with a proprietary liquid cleaner or disinfectant.

Specifications

Maximum User Weight:	136Kg (21st)
Seat Height (min/max):	33 cm/45.5 cm
Seat Size:	51 x 31 cm
Footprint (min/max):	43 x 43.5 cm / 49 x 45 cm



Warranty

Mangar International guarantees this product for a period of one year.

The guarantee is given against defects in the product. The guarantee is not valid in the case of fair wear and tear, wilful damage, common neglect, misuse or unauthorised alteration or repair by unqualified persons.

The following statements do not affect the consumer's statutory rights. This product is sold on the understanding that in the event of any defect of manufacture or material appearing within one year of the date of receipt of this product, the product will be repaired or replaced free of charge providing that:

- Reasonable evidence is provided (e.g. purchase invoice, delivery note) that the product was not purchased more than one year prior to the date of the claim.
- The defect is not attributable to accidental damage (either in transit or otherwise), misuse or unauthorised repair.

Mangar International reserves the right to alter product specifications and/or any of the information contained within this document without notice.



Mangar International

Presteigne, Powys, Wales, UK. LD8 2UF

tel: +44 (0)1544 267674

fax: +44 (0)1544 260287

customercare@mangar.co.uk

www.mangarinternational.co.uk

