

Adjustable Bath & Shower Chair - User Instructions

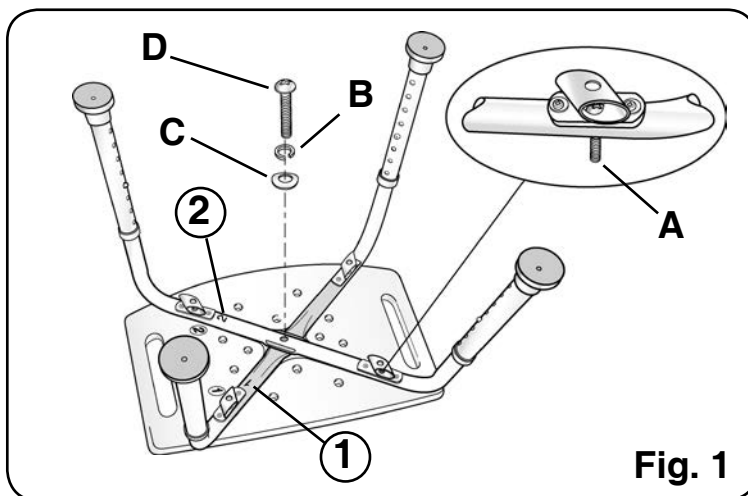
MI0236 issue 1

(Model: AB0003)

The Adjustable Bath & Shower Chair by Mangar International is intended to be used in a bath or shower to provide a stable, seated support, where a user is unable to stand for long periods. It may be used with or without the backrest.

Contents

- 2 x Legs inc. 4 x captive screws.
- 5 x Round head screws.
- 5 x Saddle washers.
- 5 x Spring washers.
- 1 x Seat.
- 1 x Backrest.
- 2 x Backrest support tubes.
- 1 x User instructions.



Assembly

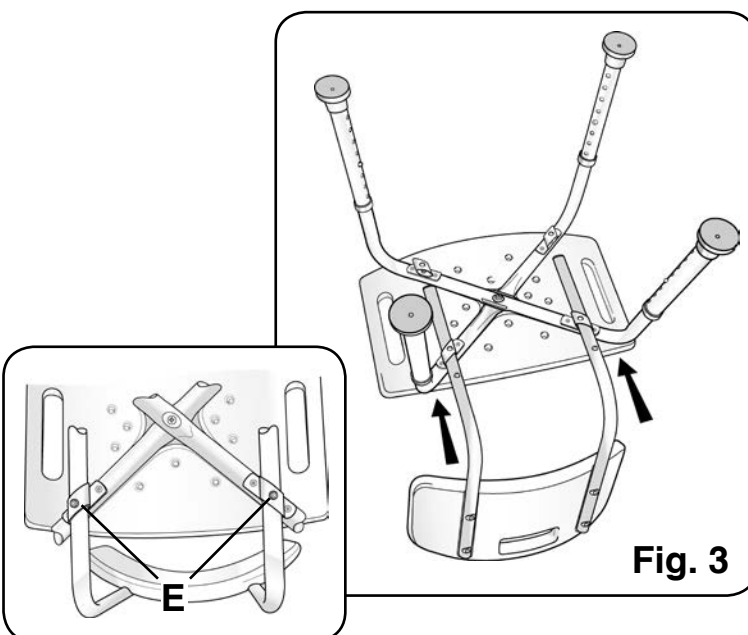
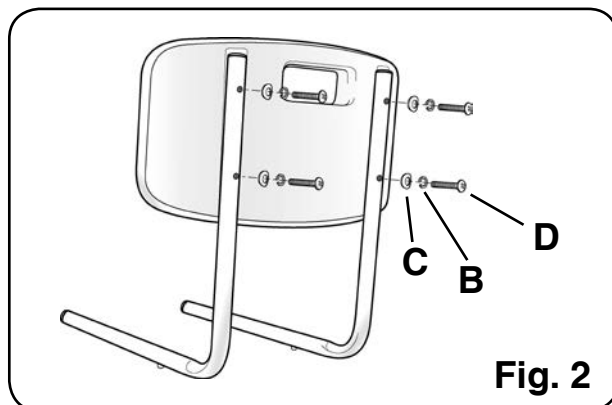
Tools required: Philips screwdriver.

Seat section (Fig. 1)

1. Place the seat upside down on a flat surface and align the legs so that the numbers **1** & **2** stamped on the legs correspond to the numbers **1** & **2** moulded into the seat.
2. Loosely secure the four captive screws (**A**).
3. Fit the spring washer (**B**) and saddle washer (**C**) to the screw (**D**) and insert into the centre hole before fully tightening.
4. Fully tighten the four captive screws (**A**).

Backrest section (Figs. 2&3)

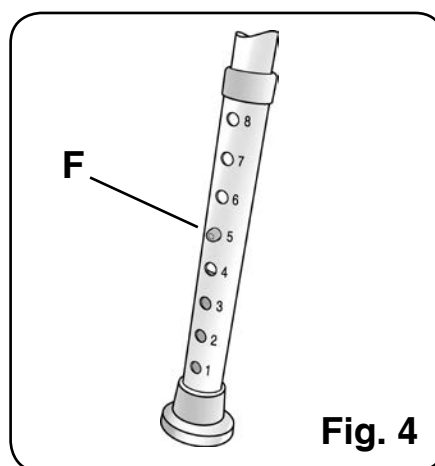
5. Align the holes in the backrest support tubes with the holes in the backrest.
6. Fit the spring washers (**B**) and saddle washers (**C**) to the screws (**D**) and insert into the four holes before fully tightening.
7. Insert the backrest tubes into the guide tubes on the underside of the seat ensuring that the snap buttons (**E**) locate in the guide tube holes.



Height Adjustment

1. Adjust the legs to the desired height by depressing the snap button (**F** fig. 4) and sliding the leg extension up or down the frame tube until the button snaps into the appropriate adjustment hole.
2. Ensure that all four leg extensions are secured to the same adjustment holes to ensure even height. The adjustment holes are numbered to assist with even alignment.

WARNING: Ensure that all four legs are adjusted to the same height and that each snap button is fully located.



Using the Bath & Shower Chair

- Position the chair in the bath or shower ensuring that all four feet are making contact with the bath/shower tray.
- Sit centrally on the seat.

Safety Precautions

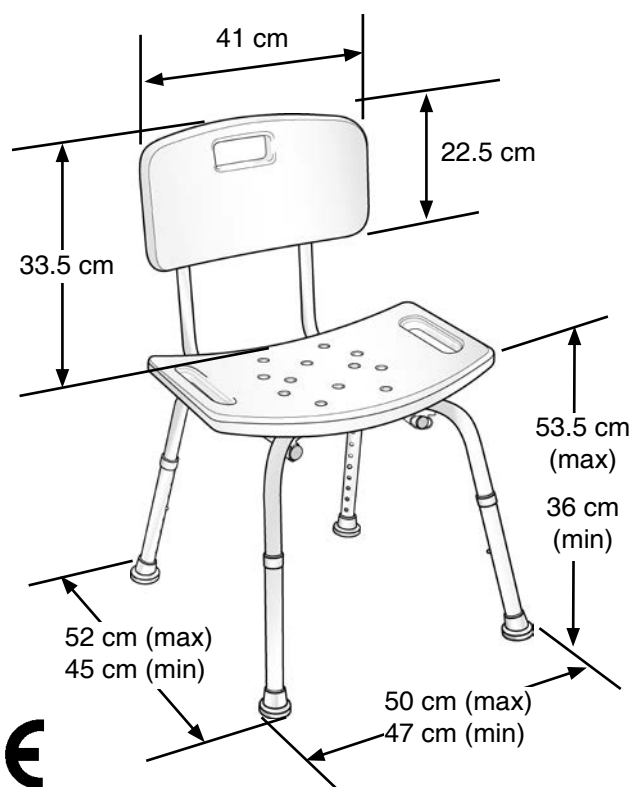
- DO NOT exceed the maximum user weight limit.
- DO NOT stand on the seat.
- DO NOT use if the rubber feet are damaged.
- Inspect at regular intervals for wear and damage.

Cleaning

- All components can be cleaned with a proprietary liquid cleaner or disinfectant.

Specifications

Maximum User Weight:	136Kg (21st)
Seat Height (min/max):	36 cm/53.5 cm
Seat Size:	49.5 x 29.5 cm
Footprint (min/max):	45 x 47 cm / 52 x 50 cm



Warranty

Mangar International guarantees this product for a period of one year.

The guarantee is given against defects in the product. The guarantee is not valid in the case of fair wear and tear, wilful damage, common neglect, misuse or unauthorised alteration or repair by unqualified persons.

The following statements do not affect the consumer's statutory rights. This product is sold on the understanding that in the event of any defect of manufacture or material appearing within one year of the date of receipt of this product, the product will be repaired or replaced free of charge providing that:

- (a) Reasonable evidence is provided (e.g. purchase invoice, delivery note) that the product was not purchased more than one year prior to the date of the claim.
- (b) The defect is not attributable to accidental damage (either in transit or otherwise), misuse or unauthorised repair.

Mangar International reserves the right to alter product specifications and/or any of the information contained within this document without notice.

Mangar International

Presteigne, Powys, Wales, UK. LD8 2UF

tel: +44 (0)1544 267674

fax: +44 (0)1544 260287

customercare@mangar.co.uk

www.mangarinternational.co.uk

Mangar
INTERNATIONAL

1 Year
Guarantee